

3A Synchronous Buck Li-ion Charger

FEATURES

- Input voltage range 4V~9V
- Dynamic input current allocation for maximum charging rate
- 3A Maximum Charge Current
- No External MOSFETs and Blocking Diode Required
- Efficiency up to 93%
- Constant-Current/Constant-Voltage Operation with Thermal Regulation to Maximize Charge Rate without Risk of Overheating
- Optional Battery Temperature Monitoring Before and During Charge Automatic Sleep Mode for Low-Power
- Over Current Protection
- Consumption Available in DFN10
- RoHS Compliant and 100% Lead (Pb)-Free

- Cellular and Smart mobile phone
- PDA/DSC
- Handheld Battery-Powered Devices
- Handheld Computers
- Charging Docks and Cradles

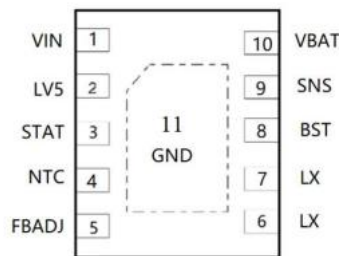
DESCRIPTION

The BC910 is a 3A Li-Ion battery charger. It utilizes a 500 KHz synchronous buck converter topology to reduce power dissipation during charging. Low power dissipation, an internal MOSFET allow a physically small charger that can be embedded in a wide range of handheld applications. The BC910 includes complete charge termination circuitry, automatic recharge and a $\pm 1\%$ 4.2V float voltage. Battery charge current, charge timeout and end-of-charge indication parameters are set with external components. Additional features include shorted cell detection; temperature qualified charging and overvoltage protection. The BC910 is available in a DFN3*3_10 package

APPLICATIONS

- Portable Media Players

PACKAGE

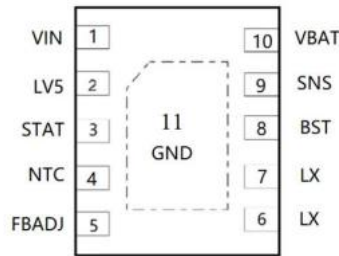


ORDING INFORMATION

Part Number	Package Type	Package Qty	Op Temp(°C)
BC910	DFN10	5000	-40~85

3A Synchronous Buck Li-ion Charger

PINOUT



PIN FUNCTIONS

PIN NAME	PIN NUMBER	DESCRIPTION
	DFN10	
VIN	1	Positive Supply Voltage Input. Decouple with a 10μF or larger surface mounted Ceramic capacitor.
LV5	2	5V LDO output PIN
STAT	3	Open-Drain Charge Status Output. When the battery is charging, this pin is pulled low by an internal N-channel MOSFET. When the BC910 detects an under voltage lockout condition, STAT is forced high impedance.
NTC	4	NTC (Negative Temperature Coefficient) Thermistor Input. This pin senses the Temperature of the battery pack and stops the charger when the temperature is out of range. Connect to GND for disabling this function.
FBADJ	5	CV adjust PIN. Connect resistor to GND increase CV voltage. Connect resistor to VBAT decrease CV voltage.
LX	6/7	Switch pin. Connect to external inductor.
BST	8	Internal charge pump boost pin.
SNS	9	Detecting pin of charge current.
VBAT	10	Battery pin.
GND	11	Ground connect with ePAD..

(1) G = Ground, I = Input, O = Output, P = Power

3A Synchronous Buck Li-ion Charger
ABSOLUTE MAXIMUM RATINGS ⁽¹⁾

Over recommended operating free-air temperature range (unless otherwise noted)

PARAMETER		MIN	MAX	UNIT
ALL OTHER PINS to GND	VIN, BAT, SNS,	4	9	V
BST to LX	BST,LX	-0.3	6.5	
LX, BST to GND	LX, BST	-0.3	30	V
ESD rating, Human Body Model (HBM)	VIN		3	kV
	BAT, SNS, LX, GND ,BST		3.5	
ESD rating, Charging Device Model (CDM)			200	V
Operating Junction Temperature	T _J	-40	125	°C
Storage Temperature Range	T _{stg}	-65	150	

(1) Stresses beyond those listed under Absolute Maximum Ratings may cause permanent damage to the device. These are stress ratings only, and functional operation of the device at these or any other conditions beyond those indicated under Recommended Operating Conditions is not implied. Exposure to absolute-maximum-rated conditions for extended periods may affect device reliability.

THERMAL CHARACTERISTICS

over operating free-air temperature range (unless otherwise noted)

THERMAL METRIC(θ_{JA})			UNIT
DFN10	Package thermal impedance ⁽¹⁾	65	°C/W

(1) The package thermal impedance is calculated in accordance with JESD 51-7.

3A Synchronous Buck Li-ion Charger

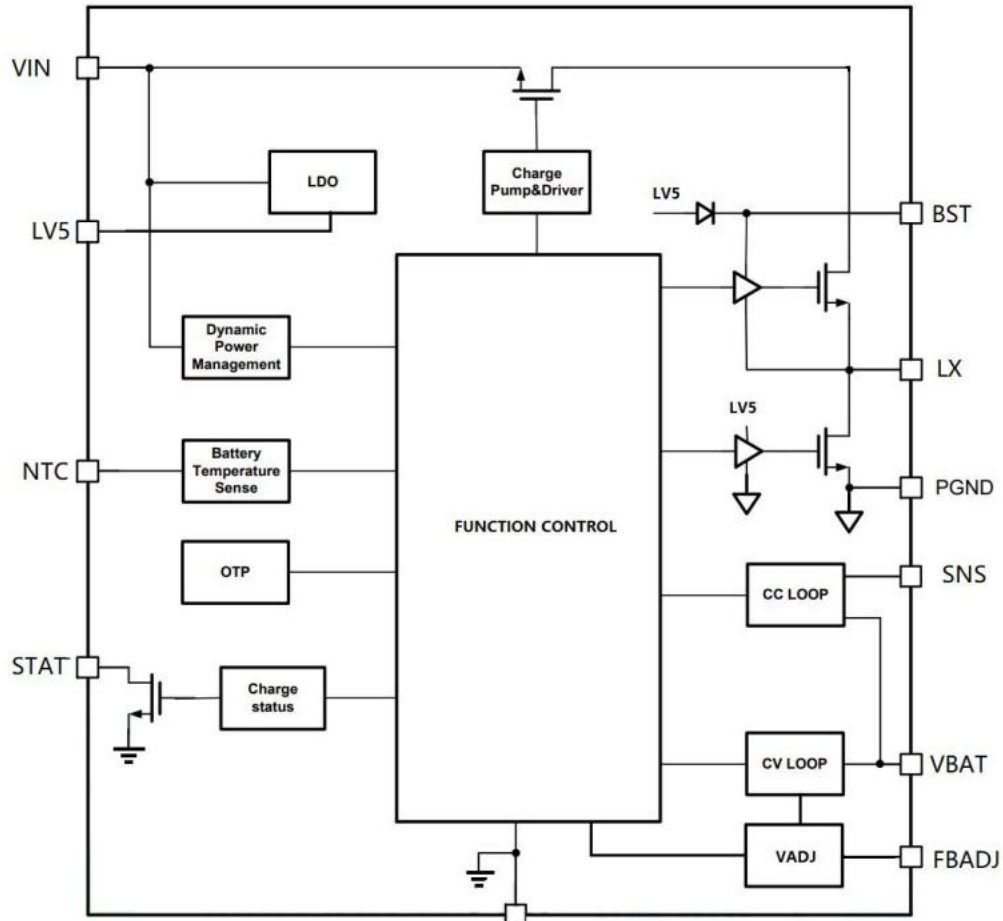
ELECTRICAL CHARACTERISTICS

(TA=25°C, VIN = 5V, unless otherwise noted)

Symbol	Parameter	Condition	Min	TYP	Max	Units
V _{IN}	Adapter/USB Voltage Range		-0.3		9	V
I _{CC}	Input Supply Current	Standby Mode (Charge Terminated)		1		mA
V _{FLOAT}	Regulated Output (Float) Voltage	FBADJ floating	4.158	4.2	4.242	V
V _{RS}	Program Charging Current (For RS to BAT)	V _{TRIKL} < V _{BAT} < V _{FLOAT}		45		mV
I _{BAT}	BAT Pin Current	R _{SNS} =45mΩ, Current Mode		1000		mA
		R _{SNS} =22.5mΩ, Current Mode		2000		mA
		Standby Mode		5		μA
I _{TRIKL}	Trickle Charge Current	V _{BAT} < V _{TRIKL} , R _{SNS} =45mΩ		100		mA
		V _{BAT} < 2.3V		100		mA
V _{TRIKL}	Trickle Charge Threshold Voltage	R _{SNS} =45mΩ, V _{BAT} Rising		2.8		V
V _{TRHYS}	Trickle Charge Hysteresis Voltage	R _{SNS} =45mΩ		100		mV
V _{STAT}	STAT Pin Output Low Voltage	I _{STAT} =5mA			0.5	V
I _{STAT}	STAT Pin Weak Pull-Down Current	V _{STAT} =5V			5	uA
ΔV _{RECHRG}	Recharge Battery Threshold Voltage	V _{FLOAT} -V _{RECHRG}		150		mV
T _{LIM}	Junction Temperature in Constant Temperature Mode			150		°C
I _{TERM}	C/10 Terminal Current	R _{SNS} =45mΩ		100		mA
VIN UVLO	Under Voltage Lockout of VIN	V _{IN} rising		4		V
		V _{IN} falling		3.8		V
		hysteresis		1		
V _{NTC-H}	High Temperature Protection Threshold Voltage	Battery Temperature rising		30		%V _{LV5}
V _{NTC-L}	Low Temperature Protection Threshold Voltage	Battery Temperature falling		74		%V _{LV5}
F _{OSC}	Frequency			500		KHz

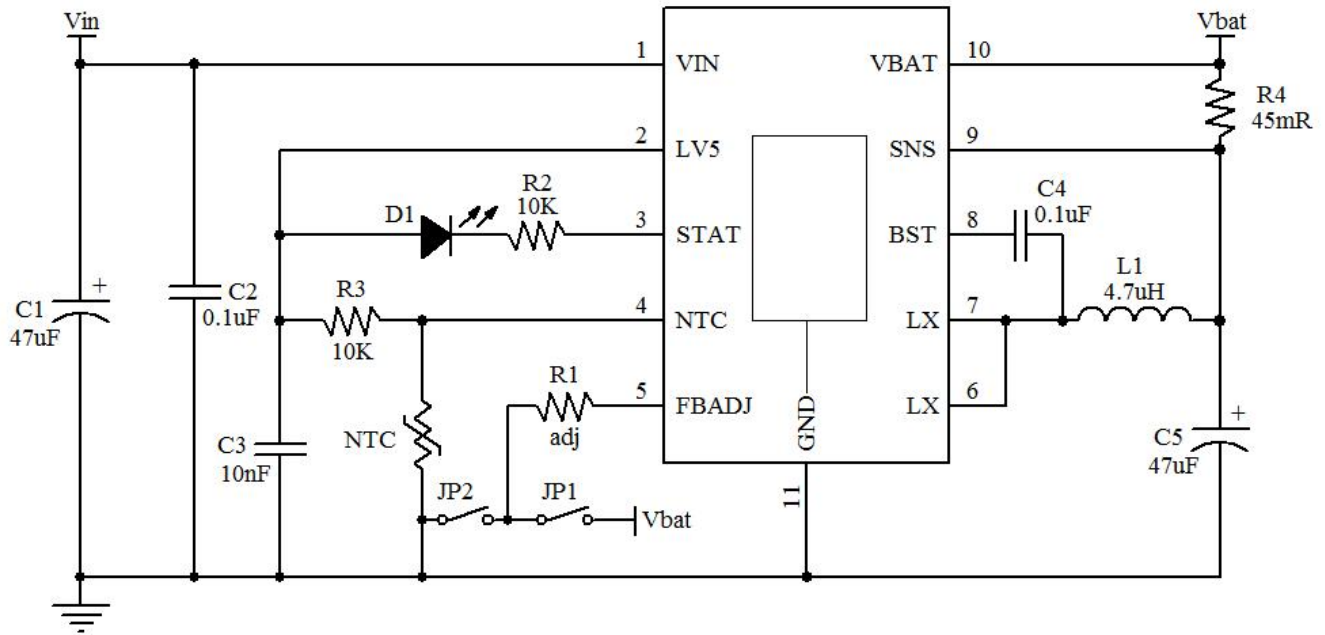
3A Synchronous Buck Li-ion Charger

FUNCTION BLOCK DIAGRAM



3A Synchronous Buck Li-ion Charger

TYPICAL APPLICATION



BC910 application Circuit

Note: When the CV value is to be lowered downward, select the switch JP1 to refer to the application, and when the CV value is to be adjusted up, select the switch JP2 to refer to the application

3A Synchronous Buck Li-ion Charger

Application Information

BC910 is a wide range V_{IN} , 3A 1cell asynchronous boost Li-Ion battery charger integrates 500KHz switching frequency and full protection functions. The charge current can be programmed up to Max 3A by using the external resistor for different portable applications and indicates the charger current information simultaneous. In constant current mode, the charge current is set by the external sense resistor R_{SNS} and an internal 45mV reference;

$$I_{BAT} = V_{RS} / R_{SNS} = 45mV / R_{SNS}$$

For example, $R_{SNS} = 45m\Omega$, $I_{BAT} = 1A$; $R_{SNS} = 22.5m\Omega$, $I_{BAT} = 2A$;

When the battery voltage approaches the programmed float voltage, the charge current will start to decrease. When the current drops to 50-150mA, an internal comparator turns off charging is terminated

Input Source Qualification

After REGN amplifier powers up, the BC910 checks the current capability of the input source. The input source has to meet the $V_{REG} > 1V$ to enable the chip

Battery Temperature Detection

The BC910 continuously monitors temperature by measuring the voltage between the NTC and GND pins. A negative or a positive temperature coefficient thermistor (NTC, PTC) and an external voltage divider typically develop this voltage. The BC910 compares this voltage against its internal V_{NTC-H} and V_{NTC-L} thresholds to determine if charging is allowed. The temperature sensing circuit is immune to any fluctuation in V_{5} , since both the external voltage divider and the internal thresholds (V_{NTC-H} and V_{NTC-L}) are referenced to V_{5} .

The resistor values of R_1 and R_2 are calculated by the following equations:

For NTC Thermistors:

K_1 (V_{NTC-H}) = 30%,

K_2 (V_{NTC-L}) = 74%.

Automatic Recharge

Once the charge cycle is terminated, the BC910 continuously monitors the voltage on the BAT pin using a comparator with a 1.8ms filter time ($T_{RECHARGE}$). A charge cycle restarts when the battery voltage falls below 4.05V (which corresponds to approximately 80% to 90% battery capacity). This ensures that the battery is kept at or near a fully charged condition and eliminates the need for periodic charge cycle initiations.

Where R_{TL} is the low temperature resistance and R_{TH} is the high temperature resistance of thermistor, as specified by the thermistor manufacturer. R_1 or R_2 can be omitted if only one temperature (low or high) setting is required. Applying a voltage between the V_{NTC-H} and V_{NTC-L} thresholds to pin NTC disables the temperature-sensing feature.

3A Synchronous Buck Li-ion Charger

CV adjustment

Battery termination voltage default set to 4.2V. If other CV voltage wanted, the follow equations change the CV voltage.

If increase CV voltage, connect a resistor from FBADJ to GND. the increased voltage determined by:

$$\Delta V = \frac{2.1}{R_{trim}} * R_{divup}$$

If decrease CV voltage, connect a resistor from battery to FBADJ, the decreased voltage determined by

$$\Delta V = \frac{V_{CV} - 2.1}{R_{trim}} * R_{divdown}$$

$R_{div up} = 156K$

$R_{div down} = 156K$ for 1cell

Shutdown

The BC910 can be shut down by pulling the NTC pin to VIN. When the NTC pin is released, the internal timer is reset and a new charge cycle starts.

Inductor Selection

An operating frequency was chosen for the buck switcher in order to minimize the size of the inductor. However, take care to use inductors with low core loss at this frequency. To calculate the inductor ripple current:

Charge Status Indicator (STAT)

The charge status output has two different states: strong pull-down (~5mA) and high impedance. The strong pull-down state indicates that the BC910 is in a charge cycle. Once the charge cycle has terminated, the pin state is determined by under voltage lockout conditions. High impedance indicates that the charge cycle complete.

Layout Considerations

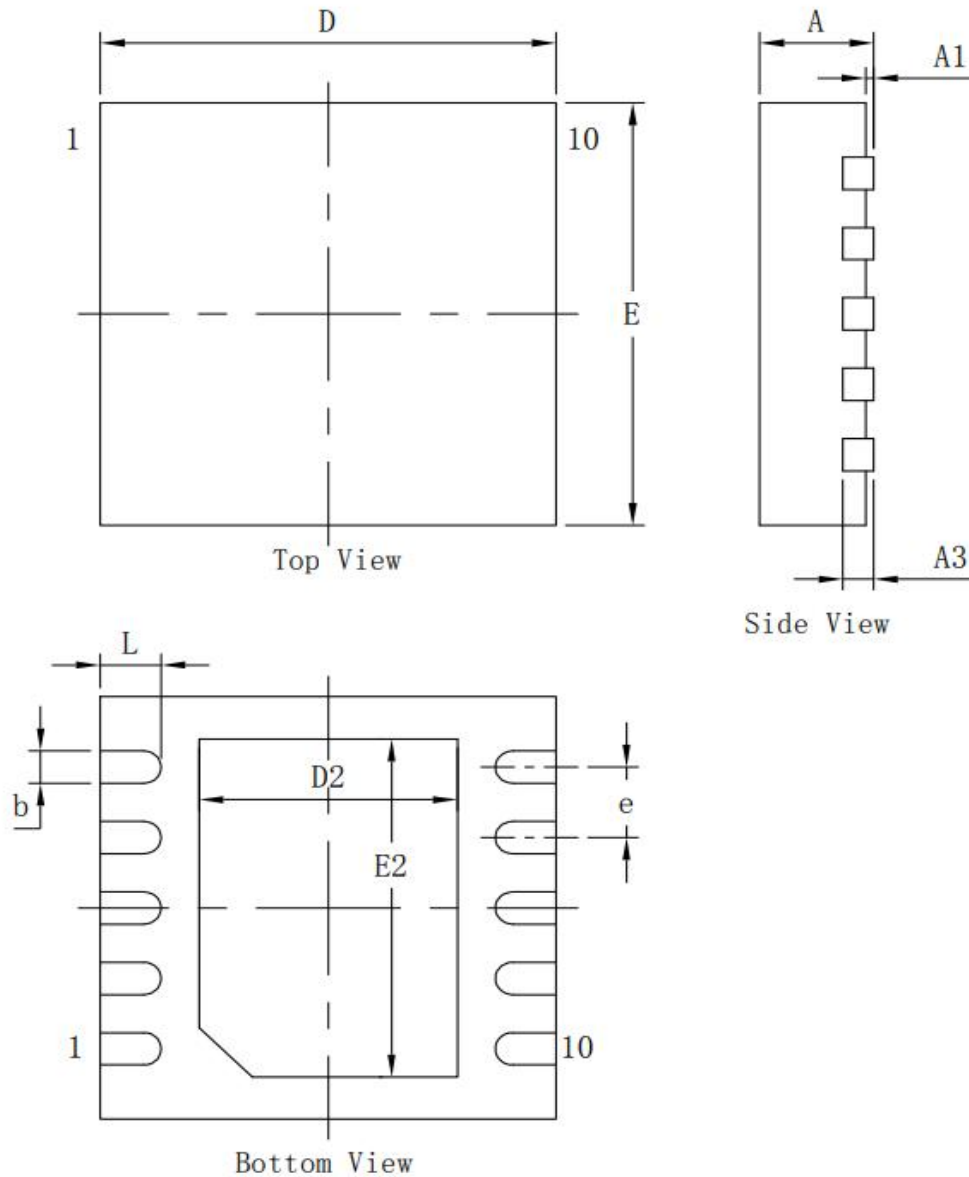
Switch rise and fall times are kept under 5ns for maximum efficiency. To minimize radiation, the SW pin and input bypass capacitor leads (between VIN and GND) should be kept as short as possible. A ground plane should be used under the switching circuitry to prevent inter plane coupling. The Exposed Pad must be connected to the ground plane for proper power dissipation. The other paths contain only DC and/or 500KHz tri-wave ripple current and are less critical. With the exception of the input and output filter capacitors (which should be connected to GND) all other components that return to ground.

3A Synchronous Buck Li-ion Charger

PACKAGE INFORMATION

DFN10

标注	尺寸	最小 (mm)	标准 (mm)	最大 (mm)	标注	尺寸	最小 (mm)	标准 (mm)	最大 (mm)
A		0.70	0.75	0.80	E		2.90	3.00	3.10
A1		-	-	0.05	D2		1.60	1.70	1.80
A3		0.203 REF			E2		2.30	2.40	2.50
b		0.18	0.23	0.28	e		0.50 TYP		
D		2.90	3.00	3.10	L		0.35	0.40	0.45



3A Synchronous Buck Li-ion Charger

Responsibility and Copyright Declaration

Shenzhen Semihigh Technology Co., Ltd. has the right to make corrections, modifications, enhancements, improvements or other changes to the products and services provided. Customers should obtain the latest relevant information and verify whether this information is complete and up-to-date before placing an order. All products are sold in accordance with the sales terms and conditions provided during order confirmation.

Shenzhen Semihigh Technology Co., Ltd. assumes no obligation for application assistance or customer product design. Customers are solely responsible for their use of Shenzhen Semihigh's products and applications. To minimize risks associated with customer products and applications, customers should provide sufficient design and operational safety verification.

The customer acknowledges and agrees that although any application related information or support may still be provided by Semihigh, they will be solely responsible for meeting all legal, regulatory, and safety requirements related to their products and the use of Semihigh products in their applications. The customer declares and agrees that they possess all necessary professional skills and knowledge to develop and implement safety measures, foresee the dangerous consequences of faults, monitor faults and their consequences, reduce the probability of faults that may cause personal injury, and take appropriate remedial measures. The customer will fully compensate for any losses caused to Shenzhen Semihigh and its agents due to the use of any Shenzhen Semihigh products in such critical applications.

For the product manuals or data sheets of Shenzhen Semihigh, copying is only allowed without any tampering with the content and with relevant authorization, conditions, restrictions, and statements. Shenzhen Semihigh assumes no responsibility or obligation for such tampered documents. Copying third-party information may require additional restrictions.

Shenzhen Semihigh will update the content of this document from time to time. The actual parameters of the product may vary due to different models or other matters. This document does not serve as any express or implied warranty or authorization

When reselling Shenzhen Semihigh products, if there is a discrepancy or false content between the description of the product parameters and the parameters indicated by Shenzhen Semihigh, all express or implied authorizations related to Shenzhen Semihigh products will be lost, and this is an improper and fraudulent business behavior. Shenzhen Semihigh assumes no responsibility or obligation for any such false statements.