

## One Cell Lithium-ion/Polymer Battery Protection

### GENERAL DESCRIPTION

- The SMH6092 product is a high integration solution for lithium-ion/polymer battery protection. SMH6092 contains advanced power MOSFET, high-accuracy voltage detection circuits and delay circuits. SMH6092 is put into an DFN1X1x0.37-4 package and only one external component makes it an ideal solution in limited space of battery pack.
- SMH6092 has all the protection functions required in the battery application including overcharging, overdischarging, overcurrent and load short circuiting protection etc. The accurate overcharging detection voltage ensures safe and full utilization charging.
- The low standby current drains little current from the cell while in storage.
- The device is not only targeted for digital cellular phones, but also for any other Li-Ion and Li-Poly battery-powered information appliances requiring long-term battery life.

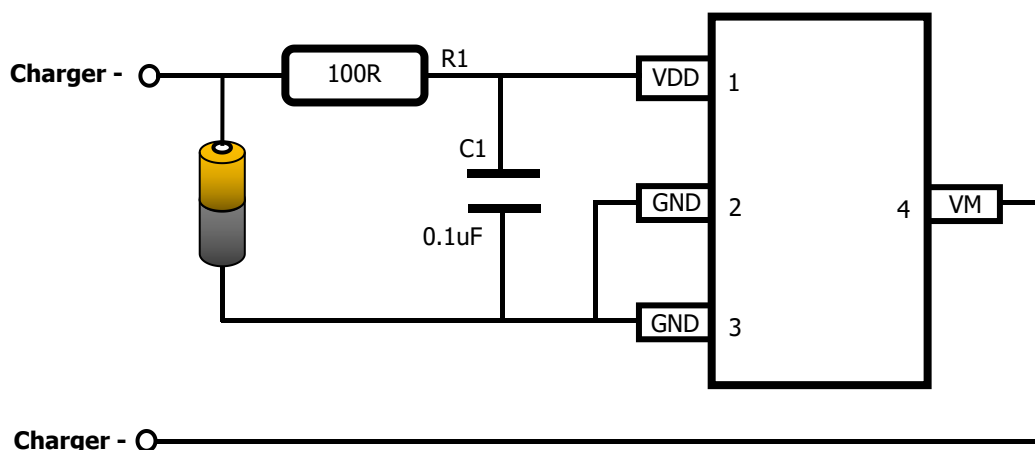
### FEATURES

- Protection of Charger Reverse Connection

- Integrate Advanced Power MOSFET with Equivalent of 50mΩ R<sub>DS(ON)</sub>
- DFN1\*1\*0.37-4 Package
- Low Overcharge Release Voltage
- Over-temperature Protection
- Overcharge Current Protection
- Three-step Overcurrent Detection:
  - Overdischarge Current
  - Load Short Circuiting
- Charger Detection Function
- 0V Battery Charging Function
- Delay Times are generated inside
  - High-accuracy Voltage Detection
  - Low Current Consumption
- Operation Mode: 1.0μ A Typ.
- Power-down Mode: 10n A Typ.
- RoHS Compliant and Lead (Pb) Free

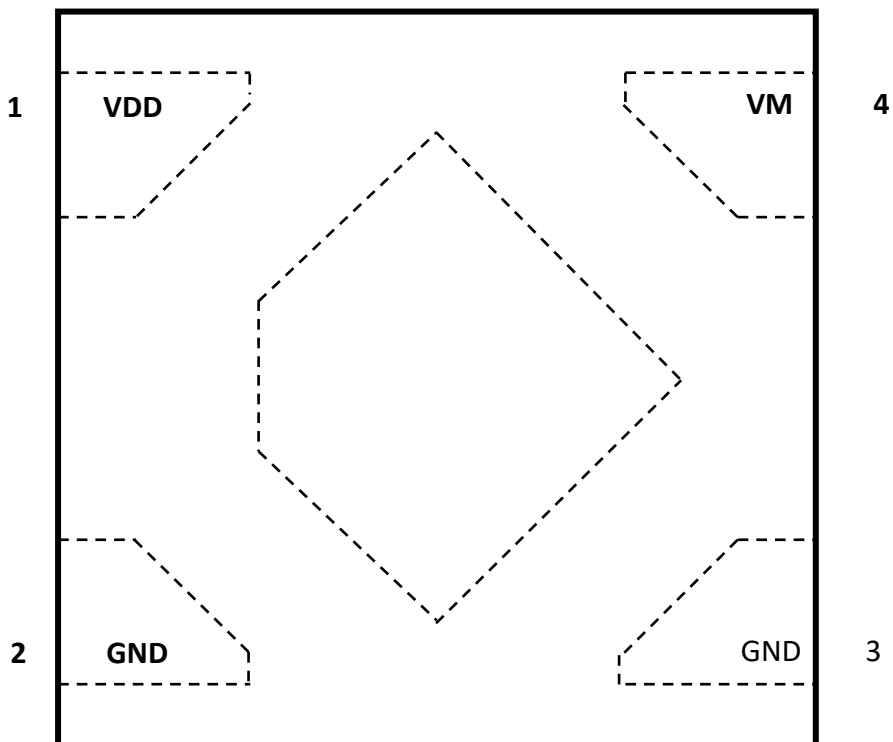
### APPLICATIONS

- One-Cell Lithium-ion Battery Pack
- Lithium-Polymer Battery Pack
- Wearable Device
- Bluetooth Earphone



**One Cell Lithium-ion/Polymer Battery Prote**
**ORDERING INFORMATION**

Part Number	Package	Overcharge Detection Voltage [VCU] (V)	Overcharge Release Voltage [VCL] (V)	Overdischarge Detection Voltage [VDL] (V)	Overdischarge Release Voltage [VDR] (V)	Overcurrent Detection Current [IOV1] (A)	Top Mark
SMH6092	DFN1X1-4	4.3	4.1	2.8	3.0	0.95	

**PIN CONFIGURATION**

**PIN DESCRIPTION**

PIN	PIN NAME	PIN DESCRIPTION
1	VDD	Power Supply
2,3	GND	Ground, connect the negative terminal of the battery to these pins. Please connect these pins with EPAD by mass metal.
4	VM	The internal FET switch connects this terminal to GND Please connect these pins by mass metal.
EPAD	NC	Not Use, Suggest to connect with GND (BAT-)

**One Cell Lithium-ion/Polymer Battery Prote**

## ABSOLUTE MAXIMUM RATINGS

(Note: Do not exceed these limits to prevent damage to the device. Exposure to absolute maximum rating conditions for long periods may affect device reliability.)

PARAMETER	VALUE	UNIT
VDD input pin voltage	-0.3 to 6	V
VM input pin voltage	-6 to 10	V
Operating Ambient Temperature	-40 to 85	°C
Maximum Junction Temperature	150	°C
Storage Temperature	-55 to 150	°C
Lead Temperature ( Soldering, 10 sec)	300	°C
Power Dissipation at T=25°C	0.3	W
Package Thermal Resistance (Junction to Ambient) $\theta_{JA}$	250	°C/W
Package Thermal Resistance (Junction to Case) $\theta_{JC}$	130	°C/W

## ELECTRICAL CHARACTERISTICS

Typicals and limits appearing in normal type apply for TA = 25oC, unless otherwise specified

Parameter	Symbol	Test Condition	Min	Typ	Max	Unit
Detection Voltage						
Overcharge Detection Voltage	VCU		4.25	4.30	4.35	V
Overcharge Release Voltage	VCL		4.05	4.10	4.15	V
Overdischarge Detection Voltage	VDL		2.7	2.8	2.9	V
Overdischarge Release Voltage	VDR		2.9	3.0	3.1	V
Detection Current						
Overdischarge Current Detection	IIOV1	VDD=3.6V	0.6	0.95	1.3	A
Overdischarge Voltage Recovery	*VRV1	VDD=3.6V	2.8	2.9	3.0	V
Overcharge Current Detection	ICHOC	VDD=3.6V	0.6	0.95	1.3	A
Load Short-Circuiting Detection	*ISHORT	VDD=3.6V	6	12	18	A
Load Short-Circuiting Detection	*ISHORT	VDD=1.5V**	2	4	6	A
Current Consumption						
Current Consumption in Normal Operation	IOPE	VDD=3.6V VM =0V	0.6	0.8	1	$\mu$ A
Current Consumption in power Down	IPD	VDD=2.0V VM pin floating	1.0	1.4		n A

**One Cell Lithium-ion/Polymer Battery Prote**

VM Internal Resistance						
Internal Resistance between VM and VDD	RVMD	VDD=2.0V VM pin floating	200	300	400	k Ω
Internal Resistance between VM and GND	RVMS	VDD=3.6V VM=1.0V	2	4	6	kΩ
FET on Resistance						
Equivalent FET on Resistance	*RSS(ON)	VDD=3.6V IVM =1.0A	45	50	55	mΩ
Over Temperature Protection						
Over Temperature Protection	*TSHD+			150	°C	
Over Temperature Recovery Degree	*TSHD-			110		
Detection Delay Time						
Overcharge Voltage Detection Delay Time	T <sub>CU</sub>		80	160	240	mS
Overdischarge Voltage Detection Delay Time	T <sub>DL</sub>		20	40	60	mS
Overdischarge Current 1 Detection Delay Time	TL <sub>OV1</sub>	VDD=3.6V	5	10	20	mS
Overdischarge Current 2 Detection Delay Time	TL <sub>OV2</sub>	VDD=3.6V	3	5	7	mS
Overdischarge Current 3 Detection Delay Time	TL <sub>OV3</sub>	VDD=3.6V	100	220	280	uS
Overcharge Current Detection Delay Time	T <sub>CHOC</sub>	VDD =3.6V	5	10	20	mS
Load Short-Circuiting Detection Delay Time	*T <sub>SHORT</sub>	VDD=3.6V	80	180	300	uS

Note: \* ---The parameter is guaranteed by design.

\*\*---For small capacity Li-Battery with big R<sub>cell</sub>, its voltage will drop down below to 1.0V~2.0V immediately when short P+ and P-, such as 20mAh~100mAh Li-Battery。

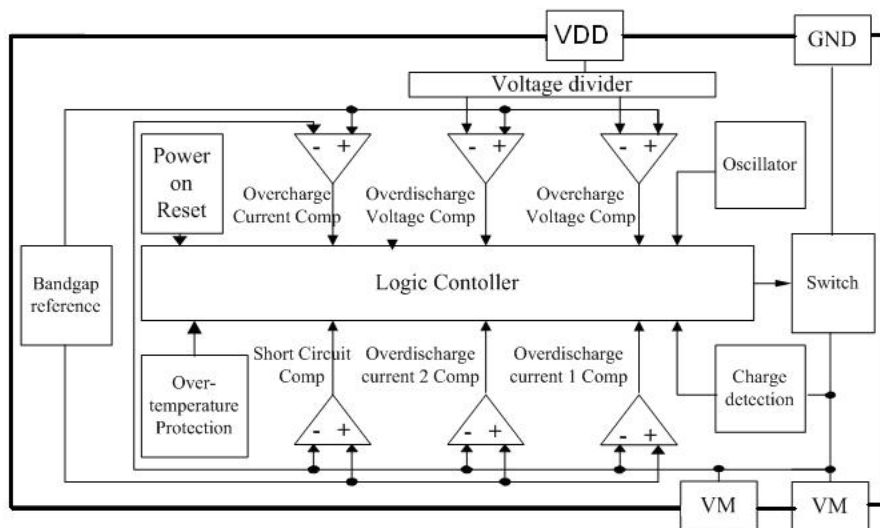


Figure 3. Functional Block Diagram

## One Cell Lithium-ion/Polymer Battery Prote

### FUNCTIONAL DESCRIPTION

The SMH6092 monitors the voltage and current of a battery and protects it from being damaged due to overcharge voltage, overdischarge voltage, overdischarge current, and short circuit conditions by disconnecting the battery from the load or charger. These functions are required in order to operate the battery cell within specified limits.

The device requires only one external capacitor. The MOSFET is integrated and its  $R_{DS(ON)}$  is as low as  $50\text{m}\Omega$  typical.

#### Normal operating mode

If no exception condition is detected, charging and discharging can be carried out freely. This condition is called the normal operating mode.

#### Overcharge Condition

When the battery voltage becomes higher than the overcharge detection voltage (VCU) during charging under normal condition and the state continues for the overcharge detection delay time ( $t_{CU}$ ) or longer, the SMH6092 turns the charging control FET off to stop charging. This condition is called the overcharge condition. The overcharge condition is released in the following two cases:

- 1, When the battery voltage drops below the overcharge release voltage (VCL), the SMH6092 turns the charging control FET on and returns to the normal condition.
- 2, When a load is connected and discharging starts, the SMH6092 turns the charging control FET on and returns to the normal condition. The release mechanism is as follows: the discharging current flows through an internal parasitic diode of the charging FET immediately after a load is connected and discharging starts, and the VM pin voltage increases about 0.7 V (forward voltage of the diode) from the GND pin voltage momentarily. The SMH6092 detects this voltage and releases the overcharge condition. Consequently, in the case that the battery voltage is equal to or lower than the overcharge detection voltage (VCU), the SMH6092 returns to the normal condition immediately, but in the case the battery voltage is higher than the overcharge detection voltage (VCU), the chip does not return to the normal condition until the battery voltage drops below the overcharge detection voltage (VCU) even if the load is connected. In addition, if the VM pin voltage is equal to or lower than the overcurrent detection voltage when a load is connected and discharging starts, the chip does not return to the normal condition.

**Remark** If the battery is charged to a voltage higher than the overcharge detection voltage (VCU) and the battery voltage does not drop below the overcharge detection voltage (VCU) even when a heavy load, which causes an overcurrent, is connected, the overcurrent does not work until the battery voltage drops below the overcharge detection voltage (VCU). Since an actual battery has, however, an internal impedance of several dozens of  $\text{m}\Omega$ , and the battery voltage drops immediately after a heavy load which causes an overcurrent is connected, the overcurrent works. Detection of load short-circuiting works regardless of the battery voltage.

## One Cell Lithium-ion/Polymer Battery Prote

### Overdischarge Condition

When the battery voltage drops below the overdischarge detection voltage (VDL) during discharging under normal condition and it continues for the overdischarge detection delay time (tDL) or longer, the SMH6092 turns the discharging control FET off and stops discharging. This condition is called overdischarge condition. After the discharging control FET is turned off, the VM pin is pulled up by the RVMD resistor between VM and VDD in SMH6092. Meanwhile when VM is bigger than 1.5V (typ.) (the load short-circuiting detection voltage), the current of the chip is reduced to the power-down current (IPDN). This condition is called power-down condition. The VM and VDD pins are shorted by the RVMD resistor in the IC under the overdischarge and power-down conditions.

The power-down condition is released when a charger is connected and the potential difference between VM and VDD becomes 1.3 V (typ.) or higher (load short-circuiting detection voltage). At this time, the FET is still off. When the battery voltage becomes the overdischarge detection voltage (VDL) or higher (see note), the SMH6092 turns the FET on and changes to the normal condition from the overdischarge condition.

**Remark** If the VM pin voltage is no less than the charger detection voltage (VCHA), when the battery under overdischarge condition is connected to a charger, the overdischarge condition is released (the discharging control FET is turned on) as usual, provided that the battery voltage reaches the overdischarge release voltage (VDU) or higher.

### Overcurrent Condition

When the discharging current becomes equal to or higher than a specified value (the VM pin voltage is equal to or higher than the overcurrent detection voltage) during discharging under normal condition and the state continues for the overcurrent detection delay time or longer, the SMH6092 turns off the discharging control FET to stop discharging. This condition is called overcurrent condition. (The overcurrent includes overcurrent, or load short-circuiting.)

The VM and GND pins are shorted internally by the RVMS resistor under the overcurrent condition. When a load is connected, the VM pin voltage equals the VDD voltage due to the load.

The overcurrent condition returns to the normal condition when the load is released and the impedance between the B+ and B-pins becomes higher than the automatic recoverable impedance. When the load is removed, the VM pin goes back to the GND potential since the VM pin is shorted the GND pin with the RVMS resistor. Detecting that the VM pin potential is lower than the overcurrent detection voltage (VIOV1), the IC returns to the normal condition.

### Abnormal Charge Current Detection

If the VM pin voltage drops below the charger detection voltage (VCHA) during charging under the normal condition and it continues for the overcharge detection delay time (tCU) or longer, the SMH6092 turns the charging control FET off and stops charging. This action is called abnormal charge current detection.

Abnormal charge current detection works when the discharging control FET is on and the VM pin voltage drops below the charger detection voltage (VCHA). When an abnormal charge current flows into a battery in the overdischarge condition, the SMH6092 consequently turns the charging control FET off and stops charging after the battery voltage becomes the overdischarge detection voltage and the overcharge detection delay time (tCU) elapses.

Abnormal charge current detection is released when the voltage difference between VM pin and GND pin becomes lower than the charger detection voltage (VCHA) by separating the charger. Since the 0 V battery charging function has higher priority than the abnormal charge current detection function, abnormal charge current may not be detected by the product with the 0 V battery charging function while the battery voltage is low.

## One Cell Lithium-ion/Polymer Battery Prote

### Load Short-circuiting condition

If voltage of VM pin is equal or below short circuiting protection voltage (VSHORT), the SMH6092 will stop discharging and battery is disconnected from load. The maximum delay time to switch current off is tSHORT. This status is released when voltage of VM pin is higher than short protection voltage (VSHORT), such as when disconnecting the load.

### Delay Circuits

The detection delay time for overdischarge current 2 and load short-circuiting starts when overdischarge current 1 is detected. As soon as overdischarge current 2 or load short-circuiting is detected over detection delay time for overdischarge current 2 or load short-circuiting, the SMH6092 stops discharging. When battery voltage falls below overdischarge detection voltage due to overdischarge current, the SMH6092 stop discharging by overdischarge current detection. In this case the recovery of battery voltage is so slow that if battery voltage after overdischarge voltage detection delay time is still lower than overdischarge detection voltage, the SMH6092 shifts to power-down.

### Figure 4. Overcurrent delay time

### 0V Battery Charging Function (1) (2) (3)

This function enables the charging of a connected battery whose voltage is 0 V by self-discharge. When a charger having 0 V battery start charging charger voltage (V0CHA) or higher is connected between B+ and B- pins, the charging control FET gate is fixed to VDD potential. When the voltage between the gate and the source of the charging control FET becomes equal to or higher than the turn-on voltage by the charger voltage, the charging control FET is turned on to start charging. At this time, the discharging control FET is off and the charging current flows through the internal parasitic diode in the discharging control FET. If the battery voltage becomes equal to or higher than the over discharge release voltage (VDU), the normal condition returns.

### Note

- (1) Some battery providers do not recommend charging of completely discharged batteries. Please refer to battery providers before the selection of 0 V battery charging function.
- (2) The 0V battery charging function has higher priority than the abnormal charge current detection function. Consequently, a product with the 0 V battery charging function charges a battery and abnormal charge current cannot be detected during the battery voltage is low (at most 1.8 V or lower).
- (3) When a battery is connected to the IC for the first time, the IC may not enter the normal condition in which discharging is possible. In this case, set the VM pin voltage equal to the GND voltage (short the VM and GND pins or connect a charger) to enter the normal condition.

One Cell Lithium-ion/Polymer Battery Protection

**TIMING CHART**

**1. Overcharge and over discharge detection**

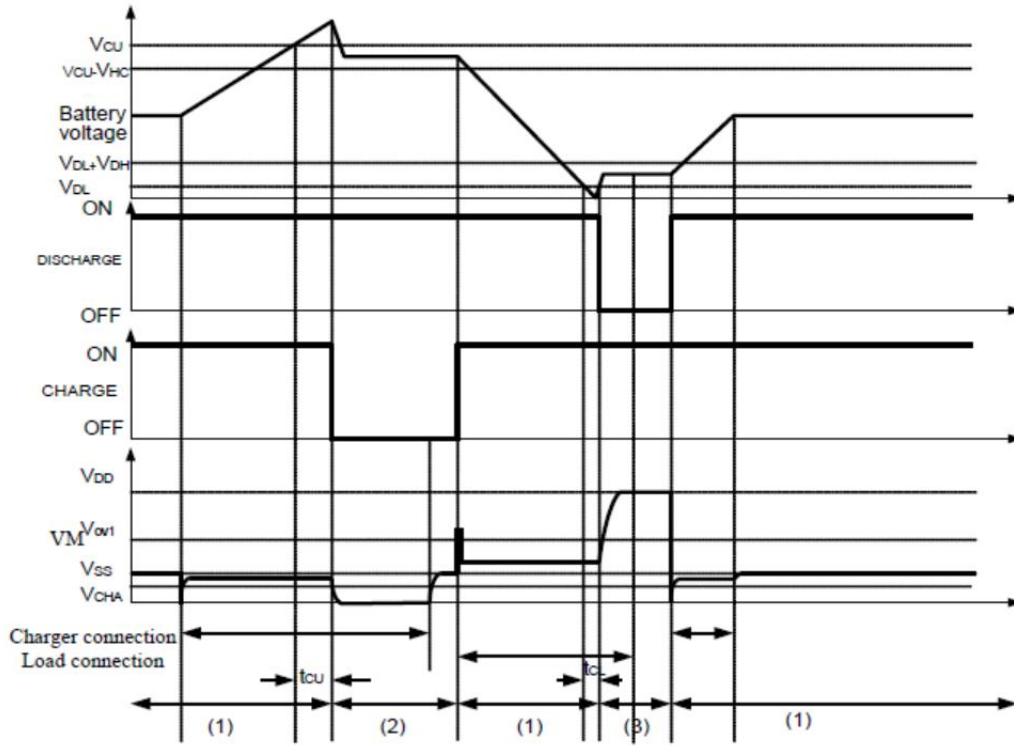


Figure5-1 Overcharge and Over discharge Voltage Detection

**2. Over discharge current detection**

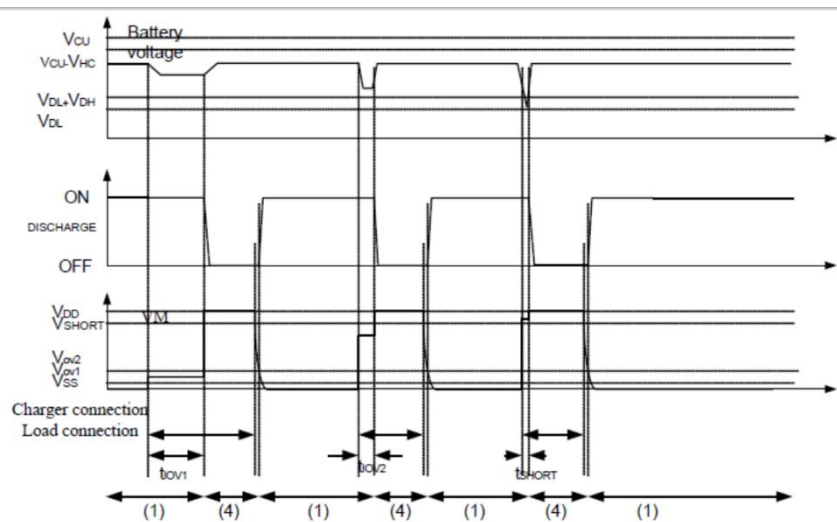


Figure5-2 Over discharge Current Detection

- Remark: (1) Normal condition  
 (2) Overcharge voltage condition  
 (3) Over discharge voltage condition  
 (4) Overcurrent condition



One Cell Lithium-ion/Polymer Battery Prote

3. Charger Detection

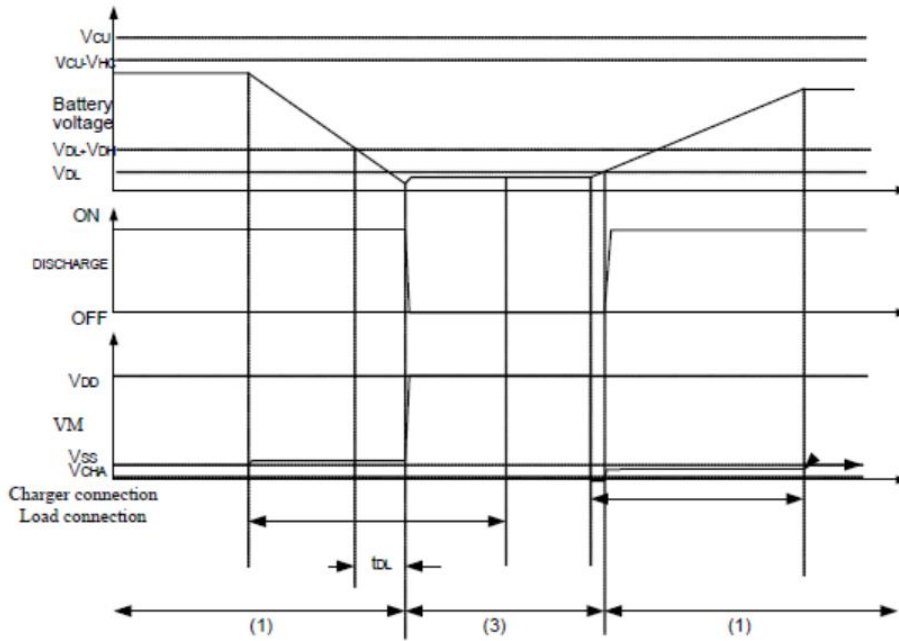


Figure5-3 Charger Detection

4. Abnormal Charger Detection

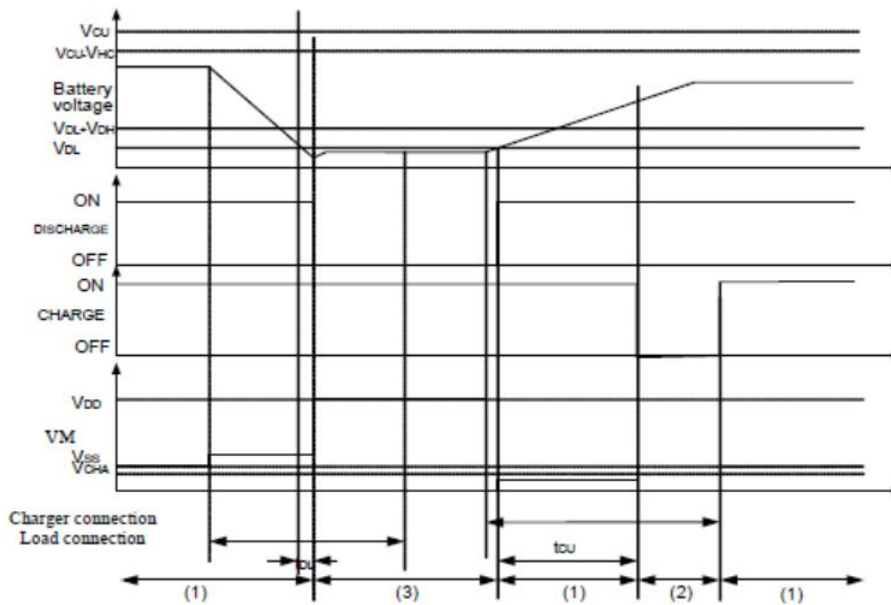


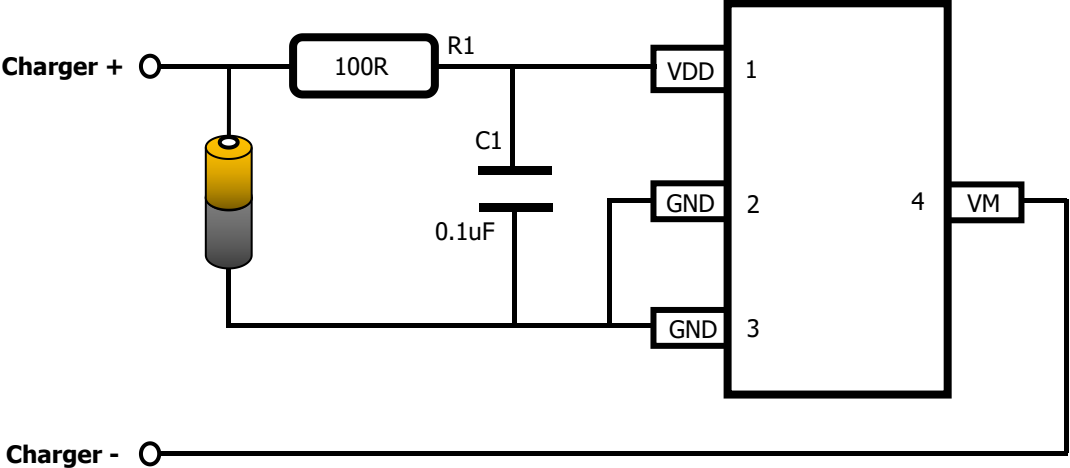
Figure5-4 Abnormal Charger Detection

- Remark: (1) Normal condition  
 (2) Overcharge voltage condition  
 (3) Over discharge voltage condition  
 (4) Overcurrent condition)

**One Cell Lithium-ion/Polymer Battery Prote**

**TYPICAL APPLICATION**

As shown in Figure 6, the wide line is the high density current path which must be kept as short as possible, mass metal is better. For thermal management, ensure that these trace widths are adequate. C1& R1 is a decoupling capacitor & resistor which should be placed as close as possible to SMH6092.

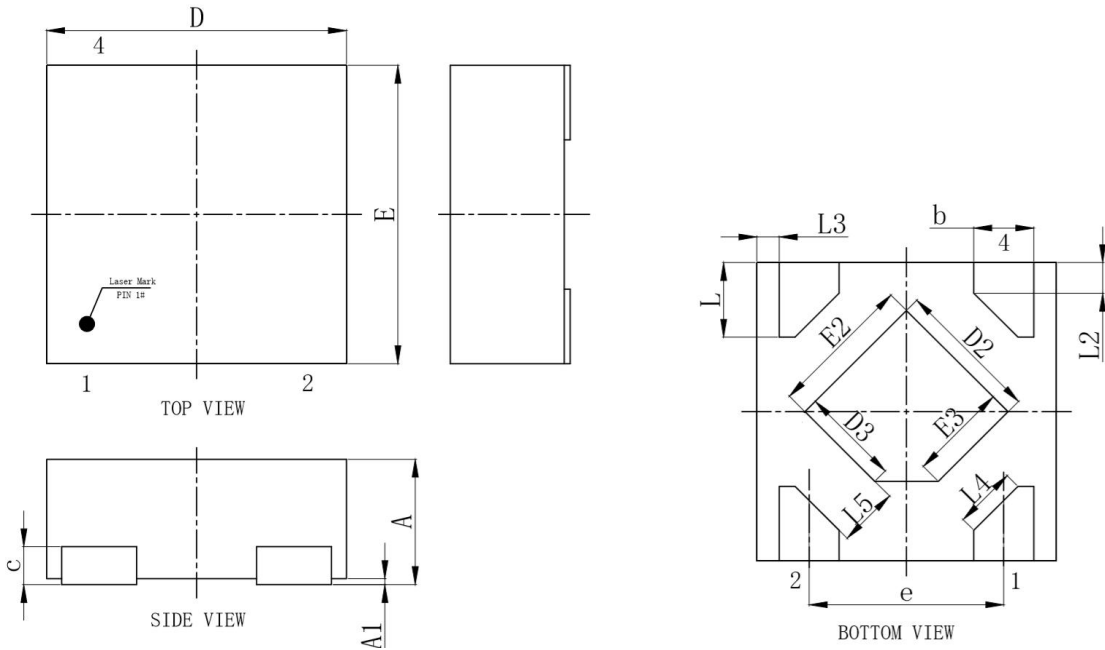


**Precautions**

- Pay attention to the operating conditions for input/output voltage and load current so that the power loss in SMH6092 does not exceed the power dissipation of the package.
- Do not apply an electrostatic discharge to this SMH6092 that exceeds the performance ratings of the built-in electrostatic protection circuit.

**One Cell Lithium-ion/Polymer Battery Prote**

**PACKAGE OUTLINE(DFN1X1X0.37-4)**



SYMBOL	MILLIMETER		
	MIN	NOM	MAX
A	0.35	-	0.40
A1	0.00	0.02	0.05
b	0.15	0.20	0.25
c	0.127REF		
D	0.95	1.00	1.05
D2	0.38	0.48	0.58
D3	0.23	0.33	0.43
e	0.65BSC		

SYMBOL	MILLIMETER		
	MIN	NOM	MAX
E	0.95	1.00	1.05
E2	0.38	0.48	0.58
E3	0.23	0.33	0.43
L	0.20	0.25	0.30
L2	0.103REF		
L3	0.075REF		
L4	0.208REF		
L5	0.200REF		