

25mΩ Adjustable Current-Limited Power Switch

FEATURES

- 25 mΩ High-Side MOSFET in SOT23-5
- 1.50~3.0 A Adjustable Current Limit
- Built-in Soft-Start
- Available SOT23-5 package

APPLICATIONS

- USB Charger
- USB Wall Adapter
- Car Charger

DESCRIPTION

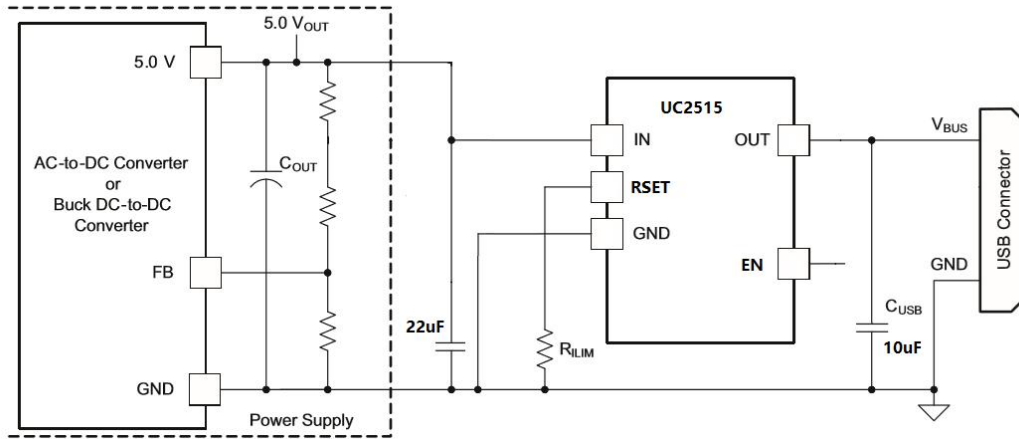
UC2515H is a 25mΩ adjustable current limited power

switch intended for applications where heavy capacitive loads and short-circuits are likely to be encountered. These devices offer a programmable current-limit threshold between 1.5A and 3A (typ) via an external resistor.

UC2515H will enter hiccup mode when OUT voltage is less than 3V or OTSD. It can significant reduce the output current and reduce thermal effect to the system.

UC2515H devices limit the output current to a safe level by switching into a constant-current mode when the output load exceeds the current-limit threshold.

PACKAGE AND APPLICATION

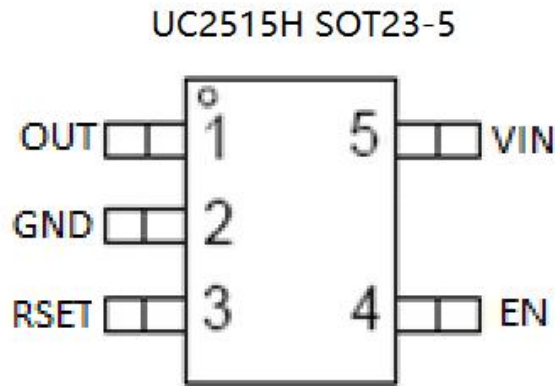


ORDING information

Part Number	Package Type	Package Qty	Op Temp(°C)	Mark
UC2515H	SOT23-5	3000	-40~85	UC2515H XXX

25mΩ Adjustable Current-Limited Power Switch

PINOUT



PIN FUNCTIONS

Pin Name	TYPE ⁽¹⁾		DESCRIPTION
	SOT23-5		
OUT	1	O	Power-switch output, connected to VBUS of USB; connect a 10μF or greater ceramic capacitor from OUT to GND as close to the IC as possible
GND	2	G	Ground connection
RSET	3	I	External resistor used to set current-limit threshold;
EN	4	I	Enable input, logic high turns on UC2515H
VIN	5	P/I	Power supply/Input voltage connected to Power Switch; connect a 10μF or greater ceramic capacitor from IN to GND as close to the IC as possible

(1) G = Ground, I = Input, O = Output, P = Power

25mΩ Adjustable Current-Limited Power Switch

ABSOLUTE MAXIMUM RATINGS ⁽¹⁾

Over recommended operating free-air temperature range (unless otherwise noted)

PARAMETER		MIN	MAX	UNIT
Supply Voltage Range	IN, OUT	-0.3	7.0	V
ESD rating, Human Body Model (HBM)	IN, OUT		6	kV
Operating Junction Temperature	T _J	-40	125	°C
Storage Temperature Range	T _{stg}	-65	150	

(1) Stresses beyond those listed under Absolute Maximum Ratings may cause permanent damage to the device. These are stress ratings only, and functional operation of the device at these or any other conditions beyond those indicated under Recommended Operating Conditions is not implied. Exposure to absolute-maximum-rated conditions for extended periods may affect device reliability.

THERMAL CHARACTERISTICS

over operating free-air temperature range (unless otherwise noted)

THERMAL METRIC			UNIT
θ _{JA}	SOT23-5 Package thermal impedance ⁽¹⁾	165	°C/W

(1) The package thermal impedance is calculated in accordance with JESD 51-7.

RECOMMENDED OPERATING CONDITIONS

PARAMETER		MIN	MAX	UNIT
V _{IN}	Input voltage of IN	4.5	6.5	V
V _{DP/DM}	DP data line input voltage		5.5	
I _{DP/DM}	Continuous sink/source current		±10	mA
R _{SET}	Resistance of R _{SET}	13	100	kΩ
I _{OUT}	Continuous sink/source current	2000	4000	mA
T _J	Operating Junction Temperature	-40	125	°C

25mΩ Adjustable Current-Limited Power Switch

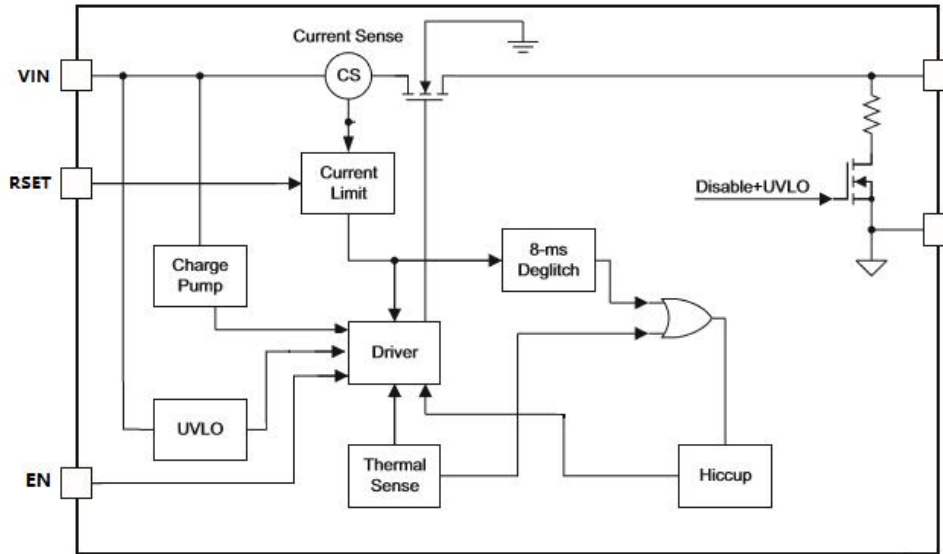
ELECTRICAL CHARACTERISTICS

Conditions are: TA = 25°C, IN = 5.0 V, Positive current are into pins. All voltages are with respect to GND (unless otherwise noted).

PARAMETER	TEST CONDITIONS	MIN	TYP	MAX	UNIT	
Power Switch						
RDSON	SOT23-5	IOUT=2.4A	25		mΩ	
Current Limit						
IOUT	OUT current limited	RSET=19.1k	2.5	2.7	2.9	A
SUPPLY CURRENT						
IN	IN supply current	IN= 5.0V,	230	400	μA	
INL	IN Disable Supply Current	IN= 5.0V	0	5		
Thermal Shutdown						
TOTSD	Temperature Rising Threshold		150		°C	
THYS	Hysteresis		20			
Enable Pin(EN)						
VEN	ENB threshold voltage, rising		3		V	
VENB_HYS	Hysteresis		150		mV	

25mΩ Adjustable Current-Limited Power Switch

FUNCTION BLOCK DIAGRAM



PCB LAYOUT NOTIFICATION

Input capacitance CIN(red position) of the pin 5 of uc2515H:

The voltage entering the pin 5 must pass through the input capacitor CIN at a single point(单点过电容), the CIN must be close to the pin 5.

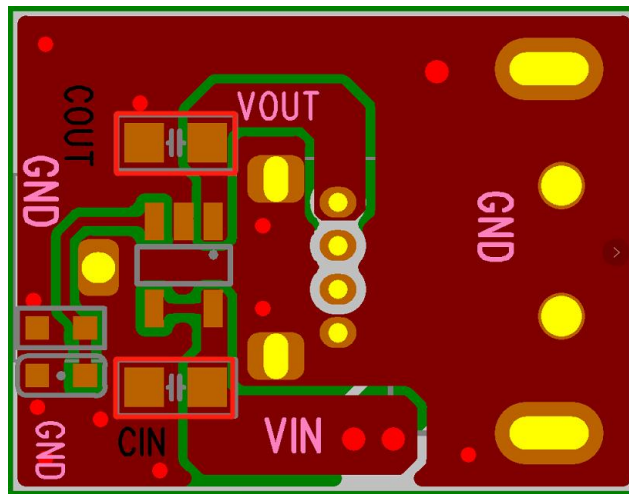
Output capacitance COUT(red position)of pin 1:

The pin1 to USB must pass through the output capacitor COUT and be close to pin 1.

Recommended capacitance CIN is 0805 size, value is 22uF;

Recommended capacitance COUT is 0805 size, value is 10uF;

Based the difference of AC/DC or DC/DC, the CIN and COUT can be increased or decreased



25mΩ Adjustable Current-Limited Power Switch

PACKAGE INFORMATION

SOT23-5

