

## Adjustable Current Detector

### DESCRIPTION

The UC2600 is an adjustable current detector for USB dedicated chargers or cable to indicate current status.

There are two LED pins to indicate different current state in the UC2600.

### FEATURES

- 4.5V~5.5V Single Supply Operation.

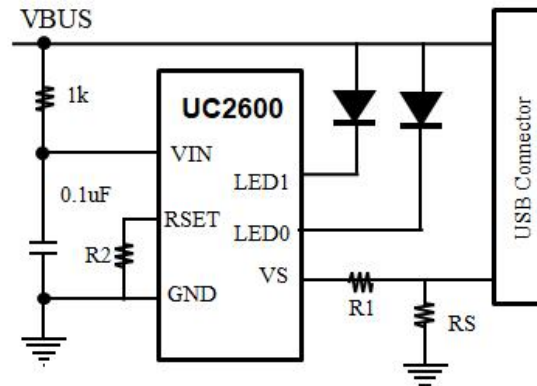
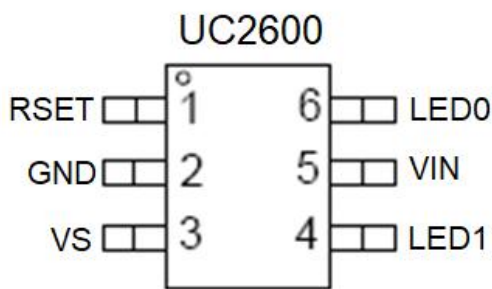
- Adjustable current detection threshold.
- Support single Layer PCB.
- Available in SOT23-6 Package.

### APPLICATIONS

USB Adapter

USB Cable

### UC2600 SOT23-6 PACKAGE and SIMPLIFIED APPLICATION

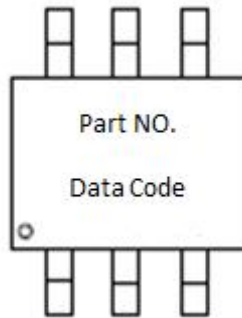


### ORDING INFORMATION

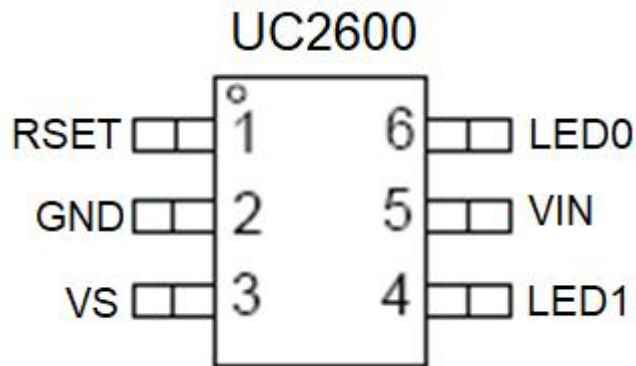
Part Number	Package Type	Package Qty	Op Temp(°C)
UC2600	SOT23-6	3000	-40~85

## Adjustable Current Detector

### MARK INFORMATION



### PINOUT



### PIN FUNCTIONS

NO.	NAME	TYPE <sup>(1)</sup>	DESCRIPTION
1	RSET	O/I	Connect external resistor
2	GND	G	Ground connection
3	VS	O/I	Sense Voltage
4	LED1	O/I	Connect LED
5	VIN	P/I	Power supply/Input voltage connected to Power Switch; connect a 0.1 $\mu$ F or greater ceramic capacitor from IN to GND as close to the IC as possible
6	LED0	O/I	Connect LED

(1) G = Ground, I = Input, O = Output, P = Power

Adjustable Current Detector

**PACKAGE INFORMATION**

SOT23-6

